

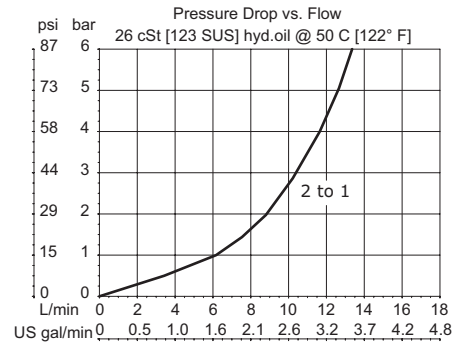
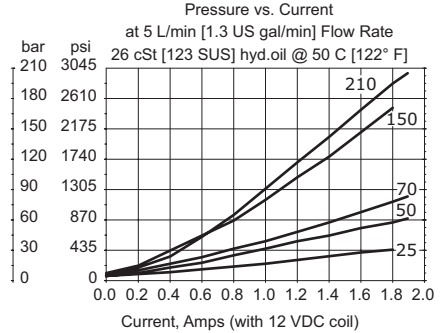
OPERATION

This is a pilot-operated, proportional pressure reducing/relieving valve.

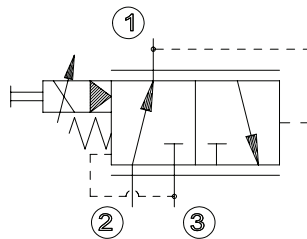
SPECIFICATIONS

Rated pressure	315 bar [4500 psi]
Rated flow at 7 bar [100 psi]	25 l/min [7 US gal/min]
Weight	0.55 kg [1.21 lb]
Hysteresis	3% maximum
Threshold current	0 A (12 VDC coil) 0 A (24 VDC coil)
Maximum control current	1.8 A (12 VDC coil) 0.9 A (24 VDC coil)
Cavity	NCS06/3
Standard Coil	M19P 22 Watt

Theoretical performance



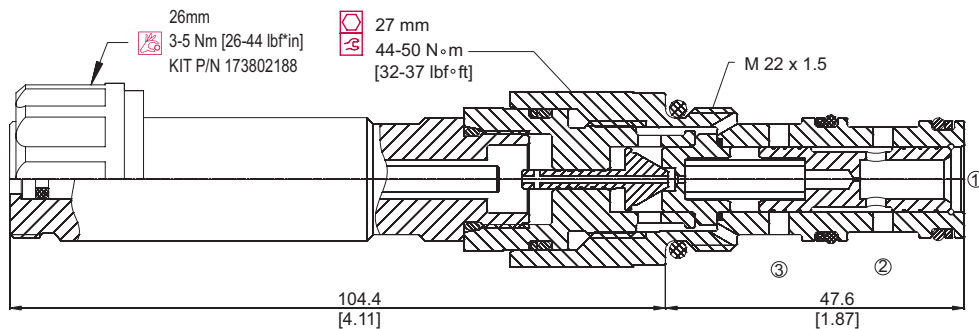
Schematic



DIMENSIONS

mm in

Cross-sectional view



ORDERING INFORMATION

XRP 06 - 70 - 12D - DE - EN - 00 V

Setting range

- 25 = 6-25 bar [90-360 psi]
- 50 = 6-55 bar [90-800 psi]
- 70 = 5-75 bar [90-1100 psi]
- 150 = 8-155 bar [120-2200 psi]
- 210 = 9-210 bar [130-3100 psi]

Voltage

- 00 = No coil
- 12D = 12VDC
- 24D = 24VDC

Termination

- 00 = No connector
- AJ = AMP Jr
- DE = Deutsch
- DN = DIN 43650 (ISO 4400)
- DN1 = "DN" w/Connector
- FL600 = Lead wires

Seals

- V = Viton
- Omit = Buna-N

Housing and ports

- 00 = No Housing
- SE6S = AL, #6 SAE
- SE8S = AL, #8 SAE
- SE3/8 = AL, 3/8 BSP
- SE1/2 = AL, 1/2 BSP

Seals

- 230000110
- 230000070

Housing P/N

- No Housing
- NCS06/3-SE-6S
- NCS06/3-SE-8S
- NCS06/3-SE-3/8
- NCS06/3-SE-1/2

Manual override

- 00 = Push control (Standard)
- EN = Screw control